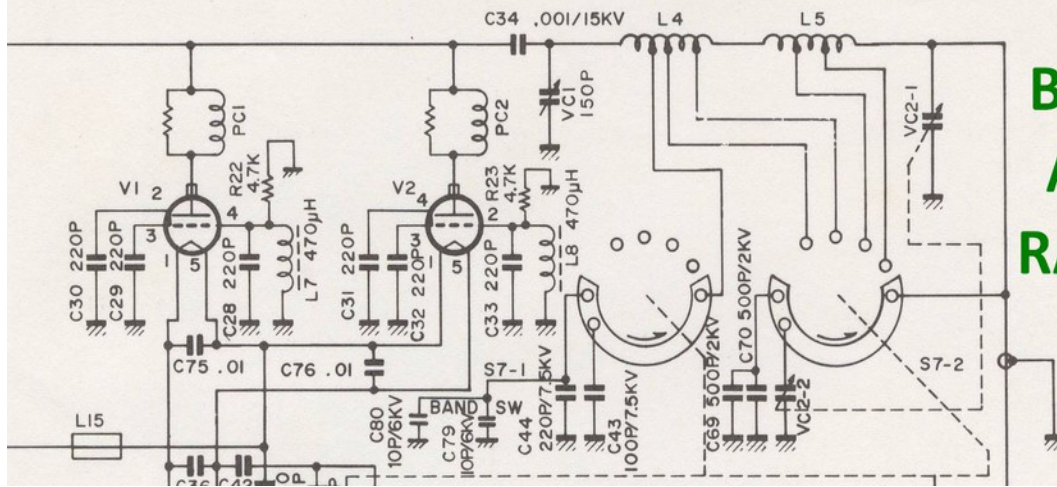


# BIG ISLAND AMATEUR RADIO CLUB



## Newsletter – November 2013

### President's Message November 2013

Last night I took part in Milt's (AH6I) testing session at the LDS Church on Route 130. What a great night. Thirteen people tested last night with great results as usual. Thank you Milt for your great teaching ability. We are so lucky to have you here in the Hilo area. He will be having another class starting with testing in December.

Milt has submitted an article showing the nominees for our upcoming election at the November meeting. There will be nominations from the floor on the day of election, so if you are so inclined to run you still have a chance.

I mentioned in last month's letter that Richard and I will be going to the mainland for about eight days. My Mom has taken a turn for the worst so we don't know whether she is going to make it to her 99th birthday or not. We will be back in time for the next meeting.

Bob AH6J and his wife Esther should be arriving home tomorrow (Saturday October 19) from their trip to New Zealand. Hopefully the colds they both had while there didn't keep them from enjoying that beautiful country. Will be great to compare notes with them as we spent 38 days there in February-March 2013. We got to meet quite a few hams while there and are looking forward to going back there again, possibly on our way to Rarotonga (if our plans gel out for next year). Hopefully Bob will be all set to do our program for us at the November meeting. His topic was to be ARRL unless he has changed it on us. Maybe he'll tell us some about his trip????????

Have a Happy Thanksgiving from Barbara NH7FY and Richard AH7G



### 10-10 International Net

Ten-Ten International Net will have the 48 hour fall digital QSO party over the weekend of November 9 and 10. Follow the 10 meter digital band plan for all digital modes. Test out your newest digital gadgets! Collect your 10-10 numbers for membership, and with \$15 you, too, will be able to compete for the certificate wallpaper.

Paper chasers be aware that the 10-10 club station W6OI has a special event this year on November 23 and 24. Two other club stations for 10-10 are VE9TEN and DL0X.

Irene NH7PE received a certificate from Ten-Ten for first place Hawaii in the summer phone QSO party.

-Irene NH7PE

## Big Island Amateur Radio Club

P.O. Box 1938

Hilo, HI 96721

[www.biarc.net](http://www.biarc.net)

### Officers

President	Barbara Darling NH7FY	982-9126
Vice Pres.	Doug Wilson KH7DQ	985-7540
Treasurer	Milt Nodacker AH6I	965-6471
Secretary	Leigh Critchlow WH6DZX	930-7330

### Two Year Directors

John Buck KH7T	885-9718
Mary Brewer WH6DYW	985-9595
John Bush KH6DLK/V63JB	935-5500

### One Year Directors

Richard Darling AH7G	982-9126
Steven Jacquier WH6DPM	907-350-2122
Paul Ducasse WH7BR	985-9222
Darryl Koon AH6TQ	968-7106

### Standing Committees

Service/Awards	vacant	
Education	Milt Nodacker	AH6I
Emergency	Paul Ducasse	WH7BR
Equipment	Milt Nodacker	AH6I
Health&Welfare	Barbara Darling	NH7FY
Membership	Richard Darling	AH7G
Hospitality	Beau Mills	NH7WV
Newsletter	Curt Knight	AH6RE
Programs	Doug Wilson	KH7DQ
Repeater	Bob Schneider	AH6J
Webmaster	Curt Knight	AH6RE

### Special Committees

Improvement	Vacant	
Field Day	Robert Oliver (969-9993)	NH6AH
Hamfest	Bob Schneider	AH6J
co-chair	Doug Wilson	KH7DQ
QSL Bureau	Barbara Darling	NH7FY

## Meetings and Get-Togethers

**Membership meetings** – Second Saturday of each month at 2PM at the Kea'au Community Center

**Board Meetings** – will be held every other month 1 hour prior to the general membership meeting at the same location as the general meeting (January, March, May, July, September, November).

**Friday Lunches** – A group meets for lunch every Friday at 11:30 at the New China Restaurant in Hilo on Kilauea Avenue across from Central Pacific Bank and Long's, and near the new courthouse.

### East Hawai'i Net

The East Hawai'i Net meets on Monday, Wednesday, and Friday mornings at 8AM HST on the 146.76 MHz repeater.

### ARES Emergency Net

Meets Saturday evening at 1900 HST on the 146.76 repeater. Backup is 146.76 simplex. All are welcome to check in.

### BIWARN Accessible Repeaters

Repeaters in **bold font** are BIWARN/MCDA linked. When operating over a link, remember to leave extra time in each transmission for the link to be established. The number in parentheses is the tone access frequency.

<b>145.29-</b>	HOVE-Ka'u WH6FC (100)
146.66-	HOVE (100)
146.68-	Kea'au limited area KH6EJ
<b>146.76-</b>	Kulani KH6EJ
<b>146.82-</b>	Mauna Loa ARES KH6EJ
146.88-	Pepe'ekeo KH6EJ (may be linked)
<b>146.92-</b>	Ka'u PD KH6EJ
<b>146.94-</b>	Haleakala Maui KH6RS (110.9)
147.02+	Haleakala Maui RACES KH6HPZ (103.5)
147.04+	Mauna Loa RACES KH6HPZ
<b>147.16+</b>	Kona (Hualalai) WH6DEW (100)
<b>147.32+</b>	Waimea Hospital NH7HI (100)
<b>147.38+</b>	Waimea East KH7T experimental
<b>442.35+</b>	Ka'anapali Maui (136.5)
<b>442.5+</b>	Kea'au KH6EJ
443.40+	Ocean View KH7MS (77.0)
443.40+	Kona KH7MS (100.0)
443.65+	Ocean View Hub
<b>444.225+</b>	Haleakala Maui KH6RS (110.9)
<b>444.45+</b>	Parker Ranch KH6EJ (88.5)
444.9+	Hilo WH6FM WIN system (100)
444.775+	Hilo WH6FM XO system (123)



### Summits On the Air

Allen KH7AL writes to say: "As we know, there are so many avenues to explore with the hobby of HAM radio. I have recently found my niche with Summits On The Air (SOTA). SOTA for the Hawaiian islands started officially on the 1st of Sept. If you are not familiar, SOTA is an international radio sport program which encourages HAM radio operation in mountain areas."

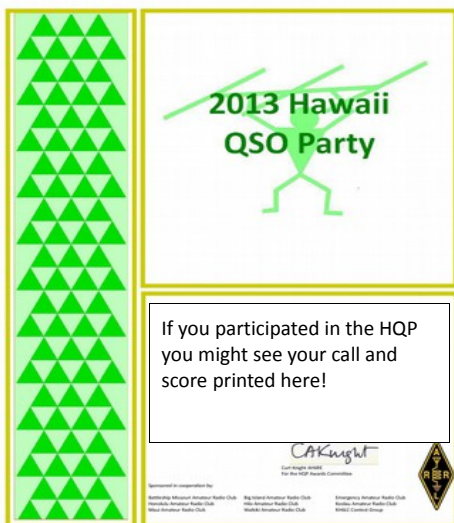
Allen would like to know if there is anyone interested in becoming a Regional Manager for the Big Island under the SOTA program. For more information about this opportunity, or to obtain a copy of the Association Reference Manual for KH6 which details the 9 Big Island locations that have been designated as eligible summits, please contact Allen at

[hawaiiisota@gmail.com](mailto:hawaiiisota@gmail.com)



### HQP Certificates Mailed This Week

With the closing of the deadline for submission of logs for the Hawaii QSO Party, the log checking machinery has swung into action and the final results are now available on the HQP web site. Award certificates will mostly be mailed this week, so if you submitted a log and you were one of the winners in the many categories of competition, you can expect a brown envelope soon.



### Nominating Committee Report

BIARC officers for the 2014 calendar year will be elected at the 9 November meeting. Nominees so far are:

President: Robert Oliver, NH6AH

Vice president: no nominee

Secretary: Leigh Critchlow, WH6DZX

Treasurer: Andre Robert, WH6EBA and George Bezilla, WH6EFN

Director nominees for a new two year term are:

Barbara Darling, NH7FY

Toni Robert, N0INK

Milt Nodacker, AH6I

If you would like to run for a position or to nominate someone, contact Milt Nodacker, [nodacker@gmail.com](mailto:nodacker@gmail.com), 965-6471, no later than 7 November. Nominations will also be accepted from the floor at the meeting.



### KH6HME Beacons Freshened Up!

As the summer trans-Pacific tropo season wound down, a group of Hawai'i Island amateurs, headed by Fred Honnold, KH7Y, did a major "Fall Cleaning" at the 8,200 ft KH6HME beacon site on the east side of Mauna Loa on the Big Island on September 15<sup>th</sup>. Perched at this elevation, even in Hawai'i, the facility is subjected to high winds, rain, and even sometimes ice and snow.

But on this day, they were blessed with a calm and relatively warm day, and the crew spent more than seven hours replacing bent masts, servicing antennas, rerouting feed lines, and many other clean-up/fix-up tasks. And, in the process, one propagation experiment was ended and another new one was begun.

Historically, there has been speculation and debate as to whether or not the six-meter signals could be propagated by the tropospheric duct to North America's west coastal region. The anecdotal answer was that, while 144 MHz and higher clearly do propagate, 50 MHz would not. But, it really wasn't tested in a *systematic* way.

To take a closer look, before the summer tropo season began Fred KH7Y moved the KH6HME six-meter beacon system from its usual location about 200 ft above sea level to the Mauna Loa site (temporarily), to see what would happen during the summer season. The results seem to confirm the earlier wisdom. There did not appear to be any six-meter propagation that could be associated with tropo that is seen on the higher bands, or with known meteorological conditions that are normally associated with tropo.

On the other hand, a completely new experiment has been on the list for some time to explore whether the 144 MHz and higher tropo propagation that *is* observed from Hawai'i eastward toward

North America, might also be seen from Hawai'i looking further *westward* into the Pacific. So, the team has now pointed a second two-meter beacon antenna at 277°, which should illuminate a block of Pacific Ocean from KH2/KH9 to JA. It will be interesting to see how this works out over the next few seasons!

Another upgrade currently under serious study is establishing a small number of sea-level remote control points. When tropo is reported, this will allow designated local operators to switch off the beacons and run two-way operations from the Mauna Loa site remotely from home on short notice. This would greatly increase the turn-around time and flexibility during openings.

As always, the team monitors and appreciates KH6HME tropo reception reports posted on:  
<http://dx.qsl.net/propagation/tropo.php>.

The beacon frequencies are: 50.061, 144.277, 432.310, and 1296.250. Calling frequencies can be found on the website.

Contact Information for the California Pacific Amateur Radio Club:  
Fred Honnold KH7Y, [KH7Y@alohabroadband.net](mailto:KH7Y@alohabroadband.net)  
Jim Kennedy K6MIO/KH6, [K6MIO@arrl.net](mailto:K6MIO@arrl.net)

Thanks Fred KH7Y



2m Antennas, East and West



Repeater Shack Facing West